

JK-T781G  
产品使用说明书  
Manual book

**JACK 杰克**

# 使用说明目录

## MANUAL BOOK CONTENTS

1、产品安装 .....	1
Installation instructions	
2、操作面板使用说明 .....	4
Panel operation specifications	
3、参数调节 .....	7
Parameter adjustment	
4、错误代码 .....	13
Error code	
5、安装说明 .....	18
Installation instructions	
6、规格 .....	20
Specification	
7、线迹形式 .....	21
Types of stitches	
8、缝纫机头的安装 .....	21
Setting up the machine head	
9、梭心的安装方法 .....	22
Attaching the bobbin	
10、梭壳的安装方法 .....	22
Installation/Removal of bobbin case	
11、机针的安装方法 .....	23
How to install the needle	
12、线架的安装 .....	23
Serring up the thread stand	
13、加油 .....	24
Lubrication	
14、底线的绕线方法 .....	24
Winding the bobbin	
15、上线的穿线方法 .....	25
Threading the needle-thread	
16、手动送布手柄 .....	25
Manual feed handle	
17、防止切刀掉落 .....	25
How to hold the descending knife	
18、针数的变换方法 .....	26
Changing the number of stitches	
19、机针和旋梭的关系 .....	27
Needle-to-hook relation	

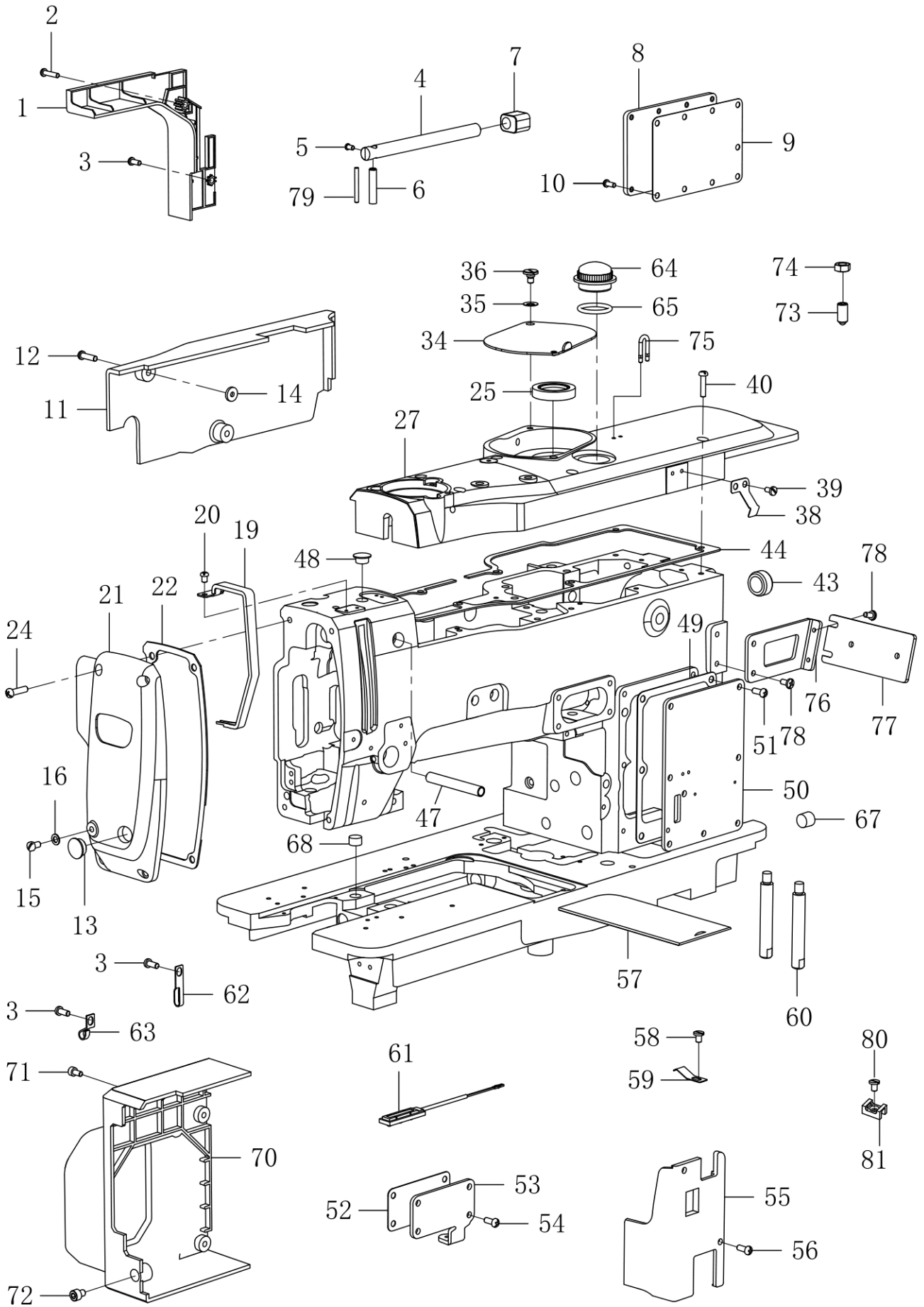
20、线张力 .....	28
Thread tension	
21、缝边长度(送布量)的调节 .....	29
Adjusting the overedging length(buttonhole length)	
22、锁眼宽度以及缝锁基准位置的调节 .....	29
Adjusting the overedging width and overedging reference position	
23、压脚的压力调整 .....	30
Adjusting the presser bar pressure	
24、切刀的更换 .....	30
Replacing the knife	
25、上线切线的调整 .....	31
Adjustment of the needle thread trimmer	
26、上线切线动作曲轴和限制板的调整 .....	32
Adjustment of needle thread trimmer holder and limiting plate	
27、切刀落刀时期的调整 .....	32
Timing for dropping the knife	
28、有关缝制的故障、原因及处理方法 .....	33
Trouble,cause,and remedy	

## 零件样本目录 Parts book contents

1、头部外装置部件.....	1
Frame & miscellaneous cover components	
2、上轴部件.....	3
Main shaft components	
3、下轴部件.....	5
Hook driving shaft components	
4、压脚棒、送布板部件.....	7
Presser bar.work clampcarrier components	
5、针棒摇动台部件.....	9
Needle bar frame components	
6、针摆幅调整部件 .....	11
Overedging width adjusting components	
7、面线切刀部件 .....	13
Needle thread trimmer components	
8、底线切刀部件 .....	15
Bobbin thread trimmer components	
9、刀杆部件 .....	17
Knife bar components	
10、送布凸轮部件.....	19
Feed cam & tripping segment components	
11、电控部件.....	21
Control box components	
12、手动停止部件.....	23
Safe protection components	
13、压脚提升架、绕线器部件.....	25
Lifting lever & bobbin winder components	
14、夹线器部件.....	27
Thread tension components	
15、给油装置部件.....	29
Lubrication mechanism components	
16、底线检测部件(选配).....	31
Bottom line detection mechanism(option parts)	
17、特殊类型部件 .....	33
Special specifications components	

# 1、头部外装置部件

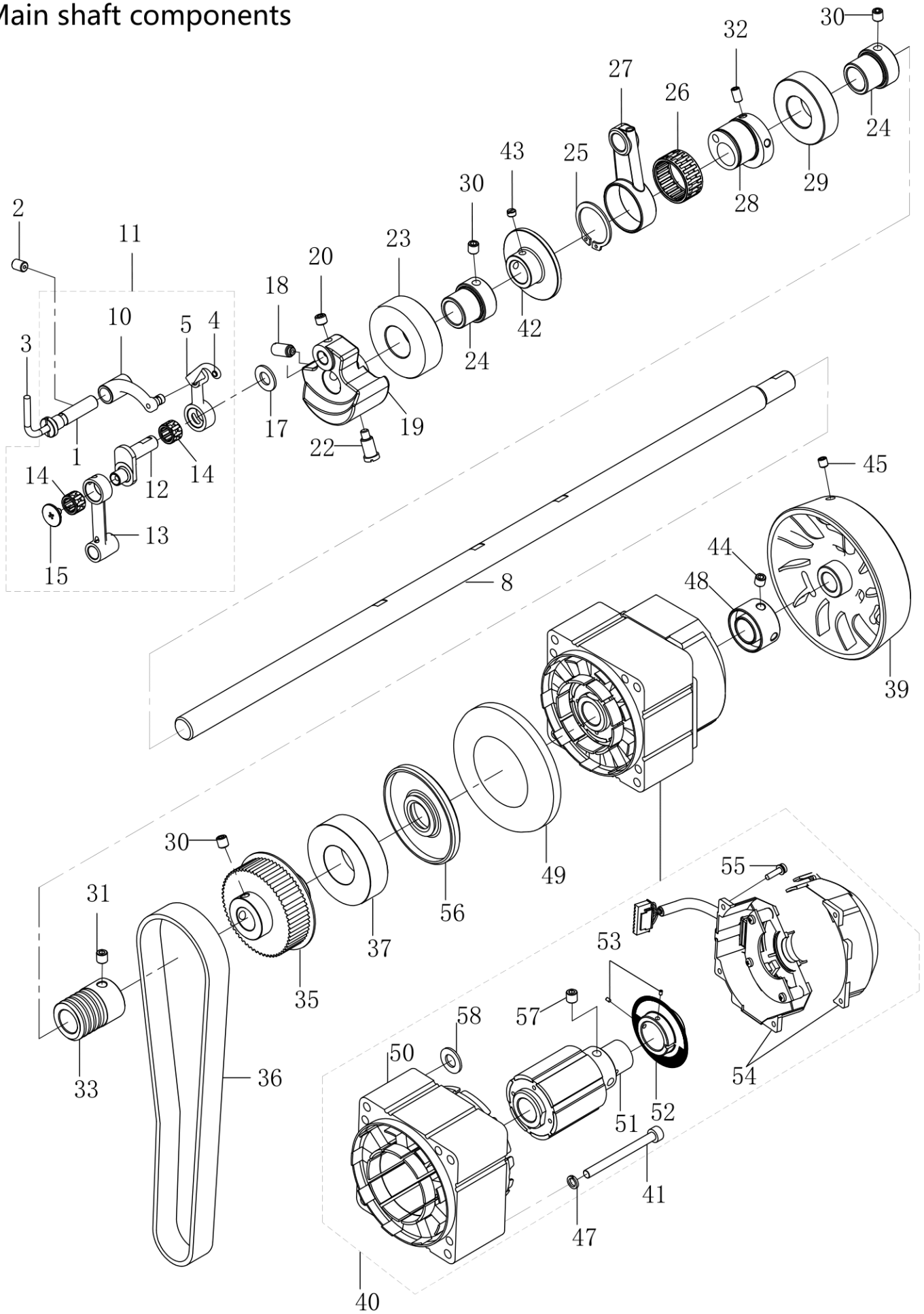
## Frame & miscellaneous cover components



序号 No.	注解 Note	件号 Part No.	名称 Name	描述 Description	数量 Qty
1		40211031	机壳侧盖	Frame side cover	1
2		402S11001	螺钉	Screw	3
3		402S11003	螺钉	Screw	1
4		40202001	机头支撑臂	Machine arm support rod	1
5		101S11002	螺钉	Screw	1
6		40226001	弹性圆柱销	Pin	1
7		40222001	橡胶缓冲垫	Rubber cushion	1
8		40212111	侧盖板	Side cover	1
9		40222002	侧盖板衬垫	Side cover gasket	1
10		402S11003	螺钉	Screw	7
11		140201010	机壳侧盖	Frame side cover	1
12		402S11045	螺钉	Screw	2
13		40222005	面板塞	Face cover complete plug	1
14		140222002	缓冲垫	Cushion	2
15		402S11036	螺钉	Screw	1
16		40228008	垫片	Spacer	1
19		140204003	挑线杆防护罩	Thread take-up lever oil gua	1
20		402S11004	螺钉	Screw	2
21		140201009	面板	Face cover complete	1
22		140222003	面板衬垫	Gasket	1
24		402S11045	螺钉	Screw	4
25		40222007	油封	Oil seal	2
27		140201008	顶盖	Top cover	1
34		140212016	齿轮箱盖	Gear case cover	1
35		40228001	蝶形垫片	Butterfly gasket	1
36		402S20001	轴位螺钉	Hinge screw	1
38		40212004	手制动勾	Hand stop latch	1
39		402S11014	螺钉	Screw	2
40		402S11001	螺钉	Screw	6
43		40222009	橡胶插塞	Rubber plug	1
44		140222001	上顶盖衬垫	Top cover gasket rear	1
47		40203001	停刀杆轴导向	Knife stop lever shaft guide	1
48		40222011	橡胶插塞	Rubber plug	3
49		40222012	右侧盖板衬垫	Side cover gasket	1
50		40212098	左侧盖板	Side cover	1
51		402S11003	螺钉	Screw	7
52		40222013	油视窗衬垫	Gasket	1
53		40212006	侧盖	Side cover	1
54		402S11003	螺钉	Screw	4
55		40211032	侧盖板	Side cover	1
56		402S11003	螺钉	Screw	2
57		40212007	推板	Bed slide	1
58		101S11002	螺钉	Screw	1
59		40227041	推板簧	Bed slide spring	1
60		402S30003	底板支撑螺钉	Bed screw stud	2
61		40230011	LED灯	LED	1
62		41312003	线夹	Cable clamp	3
63		40112091	线夹	Cable clamp	3
64		40211003	油视窗	Oil sight window	1
65		40222014	油视窗垫片	Oil sight window gasket	1
67		40222016	盲孔塞	Rubber plug	5
68		40223001	油毡	Oil felt	2
70		140211004	步进电机侧盖	Motor side cover	1
71		S05949	螺钉	Screw	2
72		413S13010	螺钉	Screw	1
73		402S30062	柱塞螺钉	Screw	1
74		402S16006	螺母	Nut	1
75		40913009	导线钩	Wire hppk	1
76		140212005	面板固定支架	Panel fixing bracket	1
77		140212006	面板连接板	Panel connection plate	1
78		403S11013	螺钉	Screw	6
79		40226056	弹性圆柱销	Pin	1
80		S01002	螺钉	Screw	1
81		140244001		Cable tie holder	1

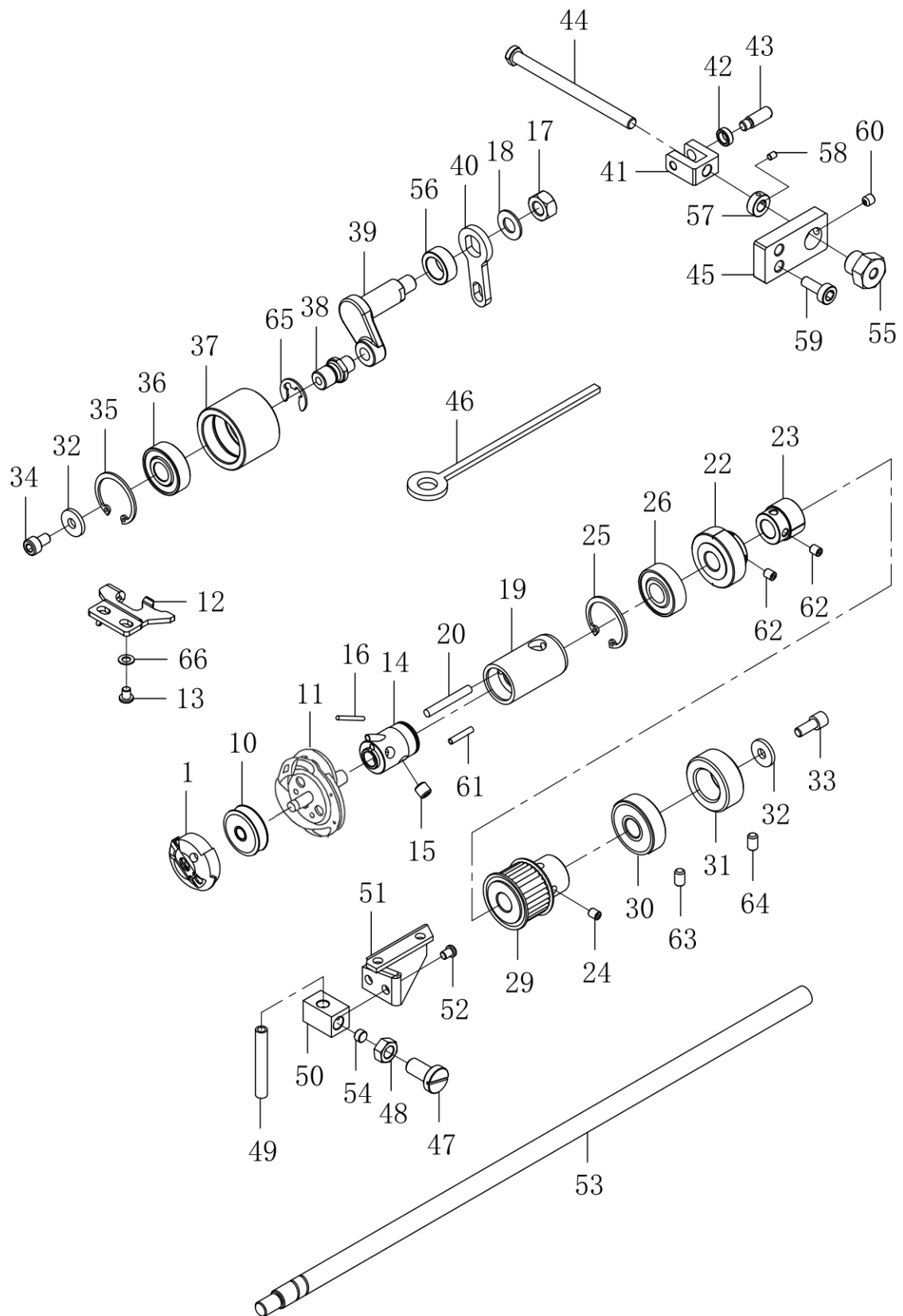
## 2、上轴部件

### Main shaft components



序号 No.	注解 Note	件号 Part No.	名称 Name	描述 Description	数量 Qty
1		40226002	铰链销	Hinge stud	1
2		402S14001	螺钉	Screw	3
3		12923018	油线	Oil wick	1
6		40203002	过线套	Thread sleeve	1
7		40838003	挑线杆	Pikez line link	1
8		140202001	上轴	Main shaft	1
10		40238001	挑线连杆	Thread take up crank	1
11		4023800200	挑线杆组件	Link take up	1
12		40204001	针杆曲柄	Needle bar crank	1
13		40205001	针杆曲柄连杆	Needle bar crank connection rod	1
14		B07015	滚针轴承	Needle bearing	2
15		402S30004	左旋螺钉	End screw left	1
17		40228002	止推垫圈	Thrust washer	1
18		101S15004	螺钉	Screw	1
19		40204002	平衡块	Counter weight	1
20		402S14002	螺钉	Screw	2
22		101S11003	螺钉	Screw	1
23		B04009	轴承	Ball bearing	1
24		40203003	轴套	Ball bearing	2
25		H03012	挡圈	Thrust collar	1
26		B07016	滚动轴承	Roller bearing	1
27		40205002	刀杆驱动连杆	Knife bar driving connection rod	1
28		40210001	刀杆传动偏心凸轮	Knife bar driving eccentric cam	1
29		B10012	轴承	Ball bearing	1
30		136S14002	螺钉	Screw	6
31		409S14001	螺钉	Screw	2
32		402S14003	螺钉	Screw	2
33		40225001	蜗杆	Worm	1
35		4023503000	同步带轮组件	Shaft sprocket	1
36		40235003	同步带	Timing belt	1
37		40224006	轴承	Bearing	1
39		40235027	手轮	Hand weel	1
40		140233001	主轴电机	Servo mortor	1
41		S05157	电机安装螺钉	Screw	4
42		40235028	绕线轮	Bobbin winder driving wheel	1
43		402S15006	绕线轮螺钉	Screw	2
44		413S14001	螺钉	Screw	2
45		207S11042	螺钉	Screw	2
47		W02057	弹簧垫片	Spring washer	4
48		10208001	电机防尘套	Dust cover	1
49		13811060	电机绝缘防护罩	Insulation shield	1
50		95100171	定子组件	Stator assembly	1
51		95100182	转子总成	Rotor assembly	1
52		1383300900	光栅组件	Grating assembly	1
53		S09022	螺钉	Screw	2
54		19540000800	罩壳组件	Housing as	1
55		951S15011	螺钉	Screw	5
56		140222005	上轴油封	Oil seal	1
57		S09162	螺钉	Screw	1
58		20728006	垫片	Washer	1

### 3、下轴部件 Hook driving shaft components



序号 No.	注解 Note	件号 Part No.	名称 Name	描述 Description	数量 Qty
1		4021800100	梭壳组件	Bobbin case asm	1
10		4021800200	梭子	Bobbin	2
11		4021800500	旋梭套组件	Hook c asm	1
12		40212010	梭壳定位板	Bobbin case positioning plate	1
13		402S11006	螺钉	Screw	2
14		4020300700	旋梭筒组件	Oil sleeve asm	1
15		101S14001	螺钉	Screw	4
16		40323013	油线	Oil wick	1
17		N01008	螺母	Nut	1
18		40228002	垫圈	Shrust washer	1
19		40203009	下轴前套	Bushing asm	1
20		12923018	油线	Oil wick	2
22		40225002	蜗杆	Worm lever	1
23		40225003	小齿轮	Pinion	1
24		136S14002	螺钉	Screw	2
25		H01009	挡圈	Thrust collar	1
26		B04012	轴承	Ball bearing	1
29		4023500700	小皮带链轮组件	Blet sprocket	1
30		40224004	轴承	Ball bearing	1
31		40208001	轴承固定挡圈	Collar	1
32		20628006	垫圈	Washer	2
33		402S13001	内六角平头螺钉	Screw	1
34		413S13010	螺钉	Screw	1
35		H01009	挡圈	Thrust collar	1
36		B04012	轴承	Ball bearing	1
37		40235008	皮带张紧轮	Tension pulley	1
38		40226005	调节杠杆针	Adjusting lever pin	1
39		40205023	张紧轮连杆	Tension pulley link	1
40		40212102	调节配件	Adjusting guide	1
41		40204037	连接接头	Connector	1
42		40228031	垫片	Spacer	1
43		40226051	连接销	Connection pin	1
44		40205024	调节连杆	Adjusting link	1
45		40212103	固定板	Fixed plate	1
46		40223005	油毡	Oil felt	1
47		402S30009	旋梭调节润滑螺钉	Hookoil adjusting screw	1
48		402S16002	螺母	Nut	1
49		12921005	油管	Oil tube	0
50		40209002	调节润滑螺钉座	Oil adjusting screw base	1
51		40221004	调节润滑螺钉座架	Oil adjusting screw bracket	1
52		402S11004	十字槽盘头螺钉	Screw	2
53		40202039	下轴	Hook driving shaft	1
54		40226006	调节销	Adjusting oin	1
55		402S16026	调节螺母	Nut	1
56		40208014	挡圈	Thrust collar	1
57		41303002	挡圈	Thrust collar	1
58		413S14004	螺钉	Screw	2
59		S05004	固定板安装螺钉	Screw	2
60		S10002	螺钉	Screw	1
61		140221002	油管	Tube	1
62		201S14002	螺钉	Screw	4
63		403S14008	螺钉	Screw	1
64		403S14008	螺钉	Screw	1
65		H05011	卡簧	Card spring	1
66		W01024	垫圈	Washer	2



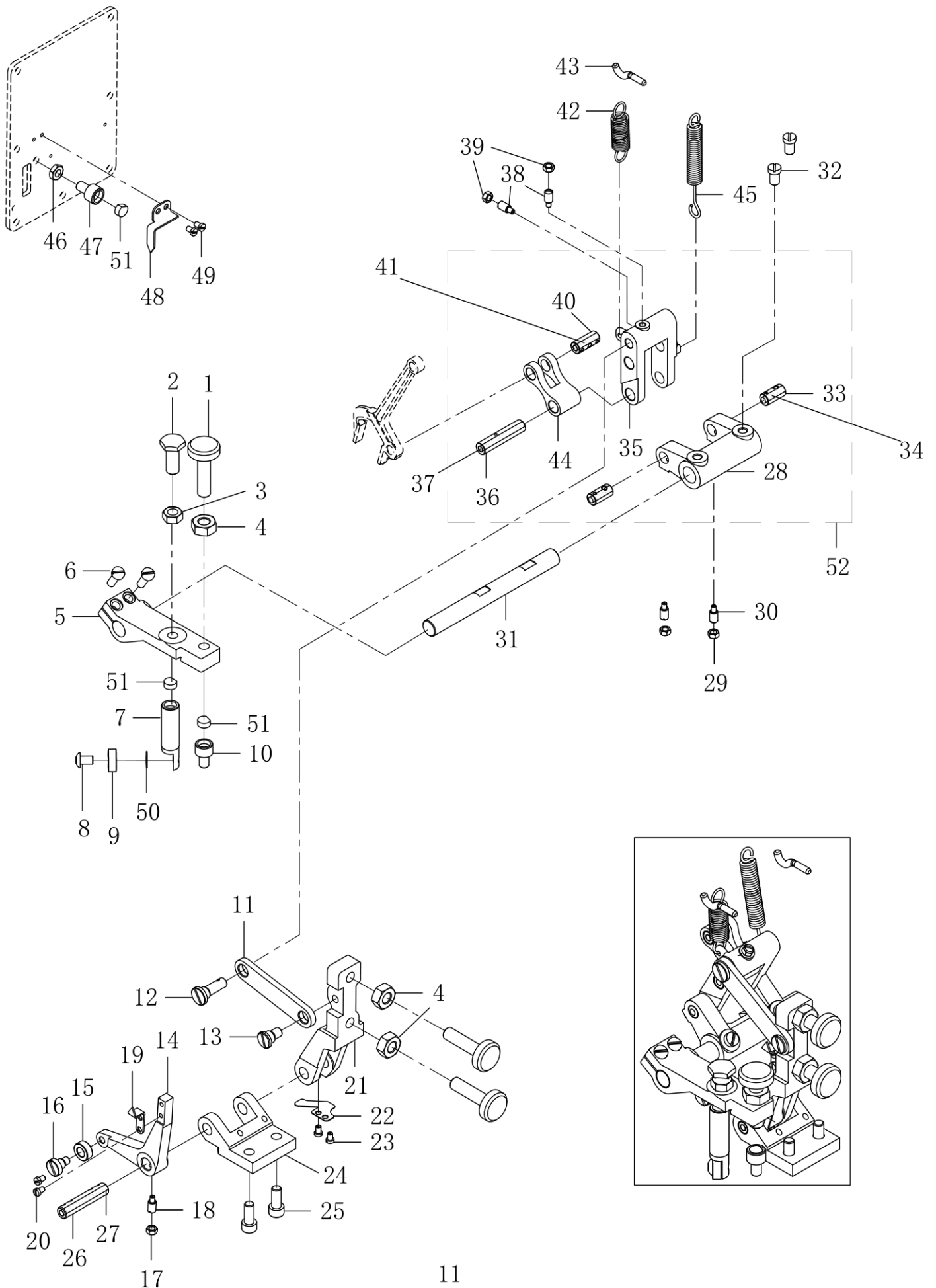
序号 No.	注解 Note	件号 Part No.	名称 Name	描述 Description	数量 Qty
1		402S30010	压簧调节手柄	Presser spring regulator	1
2		40202004	压棒	Presser bar	1
3		40227002	压簧	Presser spring	1
4		40212107	导向支架	Guide bracket	1
5		402S11036	螺钉	Screw	1
6		40209003	压棒定位架	Presser bar position bracket	1
7		409S14001	内六角平端紧定螺钉	Screw	1
8		40203010	套管	Collar	1
9		40209004	滑动滚轮	Slide roller	1
10		40226007	滑动滚轮销	Connecting pin	1
11		40209005	支架	Bracket	1
12		40212014	安全防护	Safe defend guide	1
13		402S30011	压棒螺钉	Screw	1
14		413S15004	螺钉	Screw	1
15		40212015	导向支架	Guide bracket	1
16		206S11002	螺钉	Screw	2
17		206S11002	螺钉	Screw	2
18		101S11020	螺钉	Screw	2
19		40212016	面线剪断器导架	Needlethread trimmer guide	1
20		40212017	面线剪断器导架	Needlethread trimmer guide	1
21		40216001	压脚板座	Work clamp check holder spring	1
22		40227003	压脚板座弹簧销	Work clamp check holder spring	1
23		40212018	压脚弹簧板	Work clamp check spring	2
24		40226008	压脚弹簧定位销	Work clamp check spring set pin	2
25		402S20002	轴位螺钉	Hinge screw	1
26		101S11019	螺钉	Screw	1
27		40216002	压脚板	Work clamp check	1
28		4021600300	压脚板座组件	Work clamp check holder asm	1
30		40212019	送布托板	Stitch plate	1
31		4021202000	支架盖板组件	Bracket cover	1
32		402S11007	螺钉	Screw	2
33		40201004	送布支架	Work clamp arm bracket asm	1
34		402S13011	螺钉	Screw	1
35		40205004	压脚臂支架	Work clamp carrier bracket pitman	1
36		402S20003	轴位螺钉	Hinge screw	1
37		40202005	压脚臂滑杆	Work clamp arm slide rod	1
38		40212023	送布托板支架导块	Work clamp carrier bracket guide	1
39		101S11011	螺钉	Screw	2
40		40201033	布料夹支架	Work clamp bracket	1
41		40226010	连接销	Connecting pin	1
42		114S11015	螺钉	Screw	1
43		40204031	托架	Bearing arm	1
44		136S14002	螺钉	Screw	1
45		402S30016	螺钉	Screw	1
46		402S30013	螺钉	Screw	1
47		40212024	调节送料长度轴导板	Length regulation shaft guide	1
48		401S16002	螺母	Nut	1
49		4020400400	调节送布长度刻度盘组件	Length regulation scale asm	1
50		40205005	送料臂	Bell crank	1
51		S05040	螺钉	Screw	1
52		40209006	滚子	Roller	1
53		40226012	曲柄滚子销	Bell crank roller stud	1
54		409S16020	螺母	Nut	1
55		40201074	磁铁座	Magnet base	1
56		40212118	传感器安装板	Sensor mounting platr	1
57		421S10015	螺钉	Screw	1
58		195430005	传感器	Sensor	1
59		40230006	磁铁	Magnet	1
60		S05949	螺钉	Screw	2
61		207S11042	螺钉	Screw	2
62		409S16020	螺母	Nut	1
63		40228008	垫片	Space	1
64		140212028	垫片	Space	1



序号 No.	注解 Note	件号 Part No.	名称 Name	描述 Description	数量 Qty
1		40209007	针杆架滑块	Needle bar connection slide block	1
2		1402NS30001	滑块销螺钉	Screw	1
3		409S16020	螺母	Nut	1
4		40203011	摇杆后轴套	Frame rock shaft bushing front	1
5		402S14001	螺钉	Screw	4
6		40222019	O型圈	Rubber	1
7		40223023	油芯	Oil wick	1
8		4020200700	摇杆轴组件	Frame rock shaft	1
9		40204006	摇杆后轴衬	Frame rock shaft bushing rear	1
13		40204007	摇杆后柄	Frame rock shaft crank front	1
14		402S13002	螺钉	Screw	1
16		402S20004	轴位螺钉	Hinge screw	1
17		409S16012	螺母	Nut	1
18		40204008	针杆摇杆	Needle bar pitman	1
19		40212025	摇杆连接导板	Rock shaft connection guide	1
20		S05049	螺钉	Screw	2
21		402S30015	螺钉	Screw	1
22		402S16005	螺母	Nut	1
23		4022500400	针驱齿轮组件	Needle driving gear	1
24		40208002	挡圈	Thrust collar	1
25		136S14002	螺钉	Screw	2
27		40203013	切刀驱动轴	Cam shaft	1
28		12923018	油线	Oil wick	1
29		402S30016	螺钉	Screw	1
30		40208003	挡圈	Thrust collar	1
31		S09011	螺钉	Screw	2
32		401009	针杆架	Needle bar frame	1
33		402S14001	螺钉	Screw	1
34		40226014	铰链销	Hinge stud	1
35		12923018	油线	Oil wick	1
38		40223009	油毡	Felt	2
39		40212028	油线高端固定板	Oil Felt retainer high	1
40		413S15004	螺钉	Screw	2
41		40205006	针杆连接杆	Needle bar connection	1
42		401S11003	螺钉	Screw	1
43		40212029	油线底端固定板	Oil Felt retainer lower	1
44		40202057	针杆	Needle bar	1
45		40213001	针杆导线架	Needle bar bobbin thread guide	1
46		201S11005	螺钉	Screw	1
47		40217002	机针 DP X5 12#	Needle DP X5 12#	5
50		40209028	固定导片	Position bracket	1
51		40203014	针杆套筒	Needle bar bushing	1
53		40203015	针杆套筒	Needle bar bushing	1
54		40211005	油毡架	Oil Felt retainer	1
55		40226015	轴心	Shaft	1
56		40223010	油毡	Oil Felt	1
57		40323013	油线2x2进口	Oil wick	1
58		40212026	油线夹	Clip	2
59		402S11004	螺钉	Screw	1

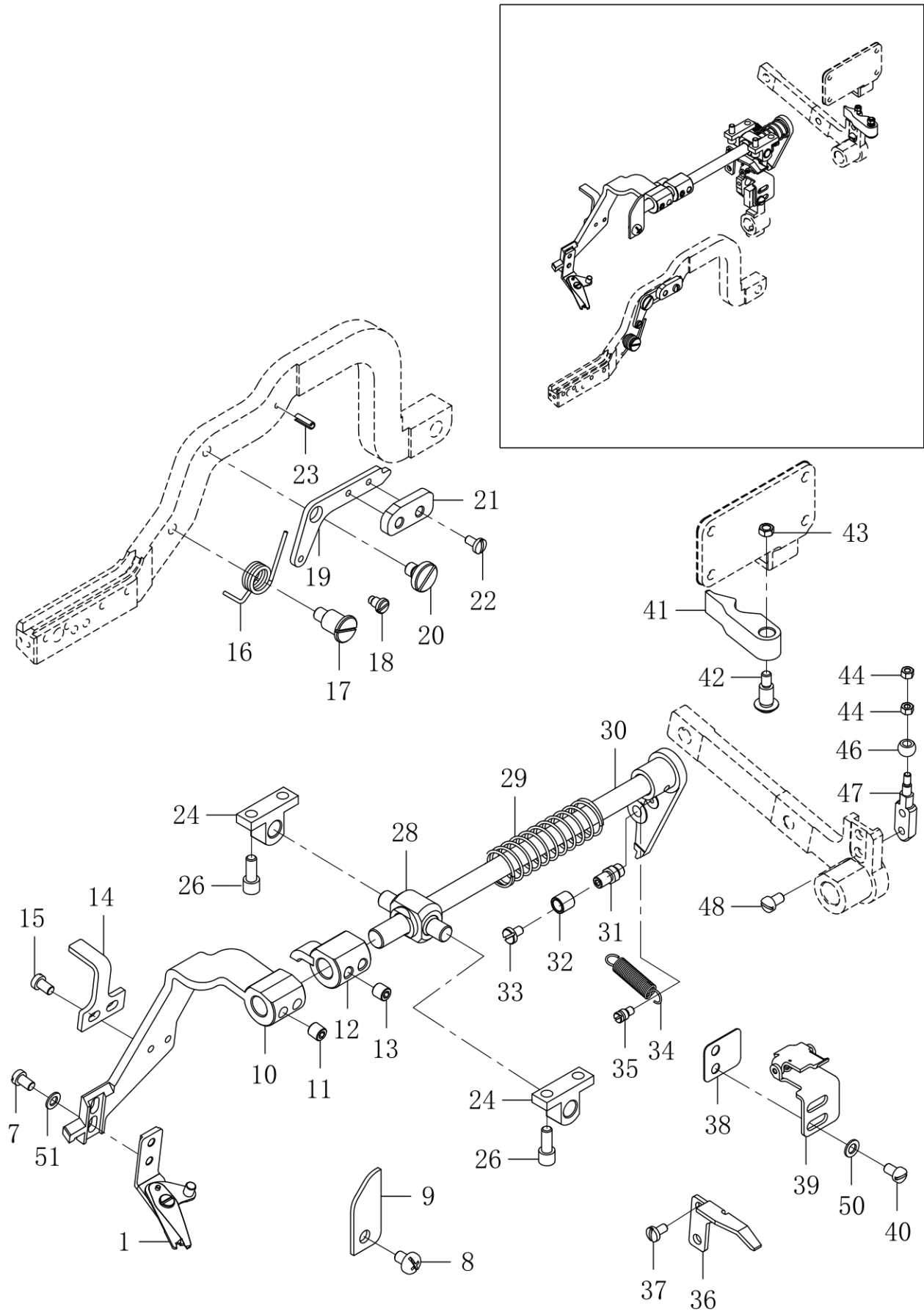
## 6、针摆幅调整部件

### Overredging width adjusting components



序号 No.	注解 Note	件号 Part No.	名称 Name	描述 Description	数量 Qty
1		402S30017	线迹宽度调节螺钉	Stitch width regulation screw	3
2		406S12001	螺钉	Screw	1
3		402S16006	螺母	Screw	1
4		N01008	螺母	Nut	3
5		40201008	复位杆	Repositioning lever	1
6		101S11021	螺钉	Screw	2
7		40202010	离合杆	Tripping rod	1
8		402S30018	螺钉	Screw	1
9		B04013	轴承605Z	Ball bearing Regulating	1
10		402S30020	调节杆螺钉	lever stopper	1
11		40205007	调节杆连接板	Regulating lever cobbection	1
12		40226016	调节销	Regulatin hinge pin	1
13		402S20005	轴位螺钉	Hinge screw	1
14		40204009	指示曲柄	Bell crank	1
15		40209008	滚轮	Roller	1
16		402S20006	轴位螺钉	Hinge screw	1
17		402S16005	螺母	Nut	1
18		402S30015	螺钉	Screw	1
19		40212031	刻度指示针	Barred width indicator	1
20		301S11017	螺钉	Screw	2
21		40201009	调节叉杆	Regulating lever	1
22		40227004	弹簧板	Spring	1
23		301S11017	螺钉	Screw	2
24		40204038	调节叉杆座	Regulating lever bracket	1
25		401S13001	螺钉	Screw	2
26		40202011	调节曲柄	Regulating lever shaft	1
27		12923018	油线	Oil wick	1
28		40204011	轴承座	Bearing bracket	1
29		402S16005	螺母	Nut	2
30		402S30015	紧定螺钉	Screw	2
31		40202012	针摆复位轴	Needle throw repositioning shaft	1
32		402S11012	螺钉	Screw	2
33		40226017	连接销	Bearing bracket	2
34		12923018	油线	Oil wick	2
35		40204012	叉型连杆	repositioning lever link	1
36		40226019	连接销	Connecting forked link pin	1
37		12923018	油线	Oil wick	1
38		402S30015	螺钉	Screw	2
39		402S16005	螺母	Nut	2
40		40226018	连接销	Connecting stud	1
41		12923018	油线	Oil wick	1
42		40227005	弹簧	Spring	1
43		402S30021	悬挂螺钉	Suspension screw	2
44		40204013	叉型连杆	Connecting forked link	1
45		40227006	拉簧	Spring	1
46		402S16003	螺母	Nut	1
47		402S30020	调节限位螺钉	Regulating lever stopper	1
48		40212032	缝宽指示针	Seam width indicator	1
49		301S11017	螺钉	Screw	2
50		40228028	轴承垫片	Space	1
51		40211006	止动橡皮	Stop rubber	3
52		14020400400	针摆调节组件	Needle pendulum adjusting assembly	1

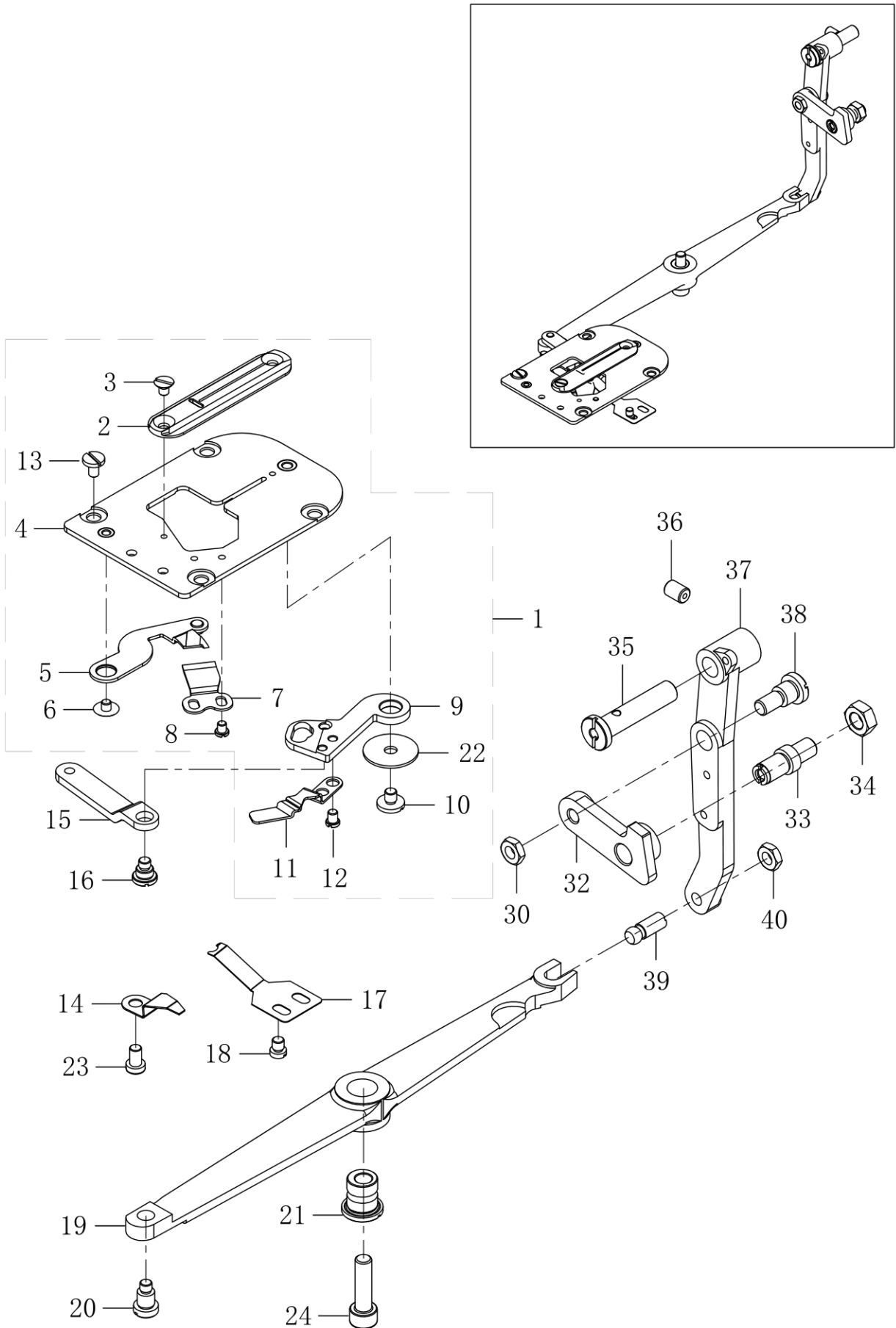
# 7、面线切刀部件 Needle thread trimmer components



序号 No.	注解 Note	件号 Part No.	名称 Name	描述 Description	数量 Qty
1		4021900100	面线剪刀组件	Needle thread trimmer asm	1
7		402S11036	螺钉	Screw	2
8		402S11013	螺钉	Screw	1
9		40212033	面线器轴导板	Needle thread trimmer shaft guide	1
10		40212094	保持架组件	Thread trimmer	1
11		409S14001	螺钉	Screw	2
12		4020301600	微调保持组件	Thread trimmer holder	1
13		409S14001	螺钉	Screw	2
14		40212036	限位板	Limiting plate	1
15		402S11036	螺钉	Screw	2
16		40227008	转矩弹簧	Driving cam spring	1
17		402S20008	传动凸轮转矩弹簧轴	Driving cam spring axle	1
18		402S20009	轴位螺钉	Hinge screw	1
19		40212037	传动凸轮安装板	Driving cam installing plate	1
20		402S20010	轴位螺钉	Hinge screw	1
21		40212038	传动凸轮板	Driving cam	1
22		402S11014	螺钉	Screw	2
23		P03029	销3x10	Spring pin	1
24		40201010	支架	Bracket	2
26		402S13001	螺钉	Screw	4
28		40226022	万象接头	Universal joint	1
29		40227009	弹簧	Spring	1
30		4020201300	面线剪刀轴组件	Needle thread trimmer shaft	1
31		40226023	滚轮销	Stud	1
32		40209029	滚子	Cam roll	1
33		402S11015	螺钉	Screw	1
34		40227010	切刀弹簧	Spring	1
35		402S30022	悬挂螺钉	Suspension screw	1
36		40212039	压脚臂锁	Latch presser arm	1
37		402S11014	螺钉	Screw	2
38		40212040	垫片(选用)	Spacer	1
39		4021204100	锁架组件	Locking bracket latch	1
40		402S11036	螺钉	Screw	2
41		40209010	剪线轴顶块	Thread trimming shaft segment	1
42		402S20011	轴位螺钉	Hinge screw	1
43		402S16005	螺母	Nut	1
44		402S16007	螺母	Nut	2
46		40209011	滚柱	Roller	1
47		40204015	嵌件	Stud	1
48		402S11036	螺钉	Screw	2
50		40228008	垫片	Washer	2
51		40228008	垫片	Washer	2

## 8、底线切刀部件

### Bobbin thread trimmer components



序号 No.	注解 Note	件号 Part No.	名称 Name	描述 Description	数量 Qty
1		4021500100	剪底线器组件	Bobbin thread trimmer asm	1
2		40215002	针板组件	Needle plate	1
3		402S17001	螺钉	Screw	2
4		4021500300	针板座组件	Throat plate base	1
5		4021900500	剪底线动刀	Bobbin thread trimmer	1
6		402S30023	螺钉	Screw	1
7		40219007	底线切刀固定刀	Counter knife	1
8		402S11016	螺钉	Screw	2
9		40204016	底线切刀杆	Bobbin thread trimmer lever	1
10		40S11017	螺钉	Screw	1
11		40219008	底线拉杆	Bobbin thread puller	1
12		402S11018	螺钉	Screw	2
13		402S11030	螺钉	Screw	4
14		40227012	压板	Presser plate	1
15		40212044	剪底线连杆	Bobbin thread trimmer link	1
16		402S20012	铰链螺钉	Screw	1
17		40227013	底线导向板	Bobbin thread guide	1
18		413S15004	螺钉	Screw	2
19		40205008	剪底线传动杆	Bobbin thread trimmer driving lever	1
20		402S20013	螺钉	Screw	1
21		40210004	套筒	Sleeve	1
22		40228009	垫圈	Washer	1
23		402S11036	螺钉	Screw	1
24		S05042	螺钉	Screw	1
30		409S16020	螺母	Nut	1
32		40205019	凸轮连杆	Connecting link	1
33		402S30058	止动限位螺钉	Stope screw	1
34		402S16008	螺母	Nut	1
35		40226026	铰链螺栓	Hinge stud	1
36		402S14001	内六角凹端紧定螺钉	Screw	1
37		40205010	底线剪刀驱动杆	Bobbin thread trimmer driving arm	1
38		402S20014	轴位螺钉	Hinge screw	1
39		402S30025	球形螺钉	Ball screw	1
40		409S16020	螺母	Nut	1

# 9、刀杆部件 Knife bar components

